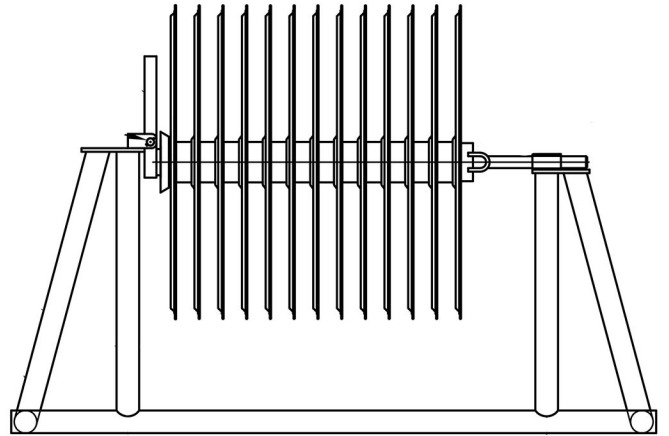


Horizontal Plate Wash-Off Filter

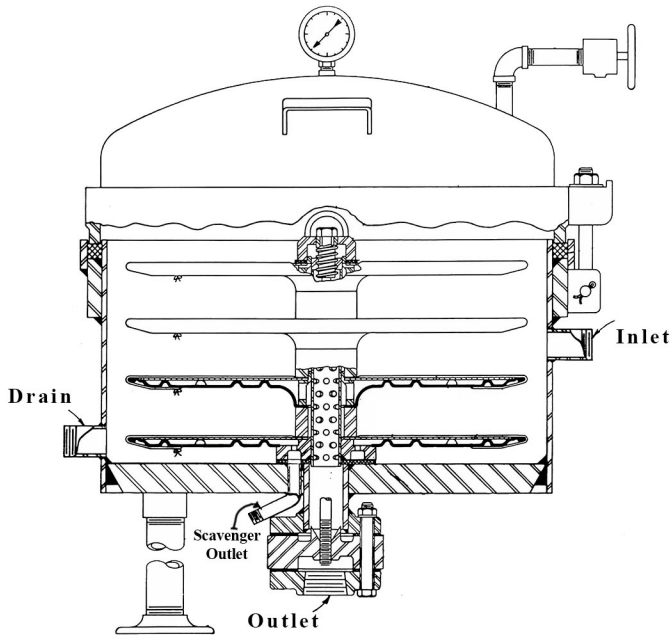
SPARKLER FILTERS INC.

Allaying separation anxiety since 1927



Consider using this filter if your application...

- requires less labor
- needs low cost consumables
- has ergonomics that support cleaning
- is non-hazardous
- starts and stops
- requires cake stability



Typical Filter Media



Contact Sparkler today to discuss options or inquire about a rental!

Features and Benefits

- Fast Cleaning: 1/3 typical cleaning time
- Low Consumable Cost
- Easily Discharges Cake Solids
- Zero leak, ASME design

Wash-Off Standard Filter Models

CARTRIDGE	FILTER AREA FT ²	CAKE CAPACITY FT ³	CARTRIDGE WEIGHT W/ SCAVENGER LBS	CARTRIDGE WEIGHT OUTLET ONLY LBS
WO-18-D-6	9.3	0.773	63	55
WO-18-D-8	12.4	1.16	80	72
WO-18-D-12	18.6	2.32	113	105
WO-18-D-16	24.8	3.093	146	139
WO-33-D-7	37.03	5.4	251	224
WO-33-D-9	47.61	6.95	312	287
WO-33-D-12	63.48	9.26	405	379
WO-33-D-17	89.95	13.12	559	533

Common Applications:



Chemical
Pharmaceutical
Food & Beverage

