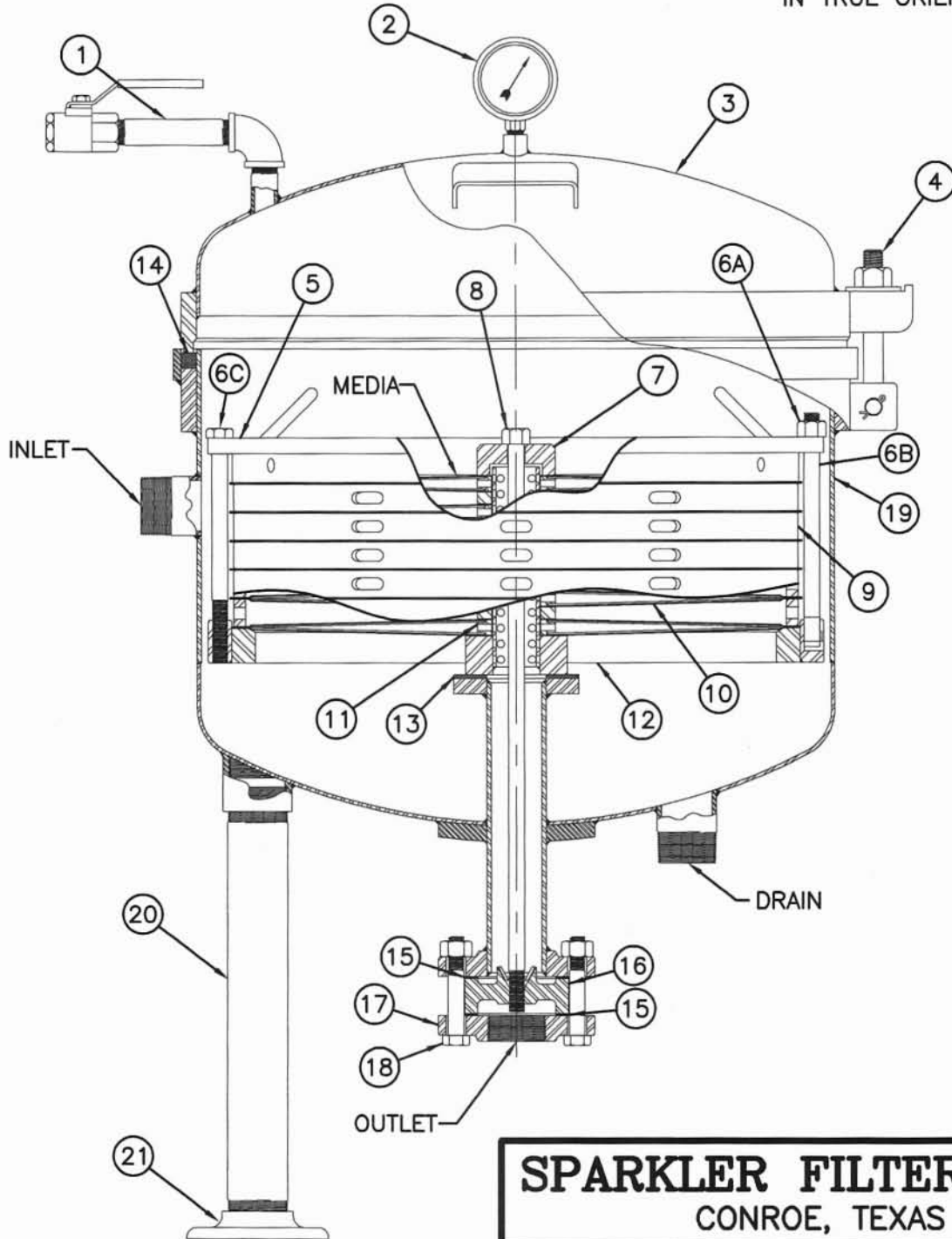


NOTE:
PORTS ARE NOT SHOWN
IN TRUE ORIENTATION.



NOTE:
WHEN ORDERING PARTS,
LIST SERIAL NUMBER AND
DRAWING NUMBER F-2646.

SPARKLER FILTERS INC.
CONROE, TEXAS

**STANDARD 14" & 18" V.R. FILTER
(NON-SCAVENGER TYPE)**

DATE
6-19-06

DRAWN BY
CHRIS

DWG. NO.

SCALE
NTS

CKD. BY

F-2646

STANDARD 14" & 18" VR FILTER PARTS LIST (NON-SCAVENGER TYPE)

PART NUMBER	PART DESCRIPTION	PART NUMBER	PART DESCRIPTION
1	Air Vent Assembly (Elbow, Nipple, Valve)		
2	Pressure Gauge	11	Plate Spacer
3	Cover (Less Gauge and Vent)	12	Bottom Ring with Center Column Welded in
4	Swing Bolt Assembly	13	Non-Scavenger Outlet Gasket
5	Top Ring	14	Cover Gasket
6A	Side Tie Nut, Heavy Hex.	15	Tie Rod Socket Gasket
6B	Side Tie Rod, T-slot	16	Tie Rod Socket
6C	Side Tie Rod, Threaded	17	Companion Flange
7	Compression Cap	18	Outlet Bolt Assembly
8	Center Tie Rod	19A	Tank (Less Legs and Swing Bolts)
9	Outer Ring	19B	Tank (With Legs and Swing Bolts)
10	Filter Plate	20	Leg
		21	Floor Flange