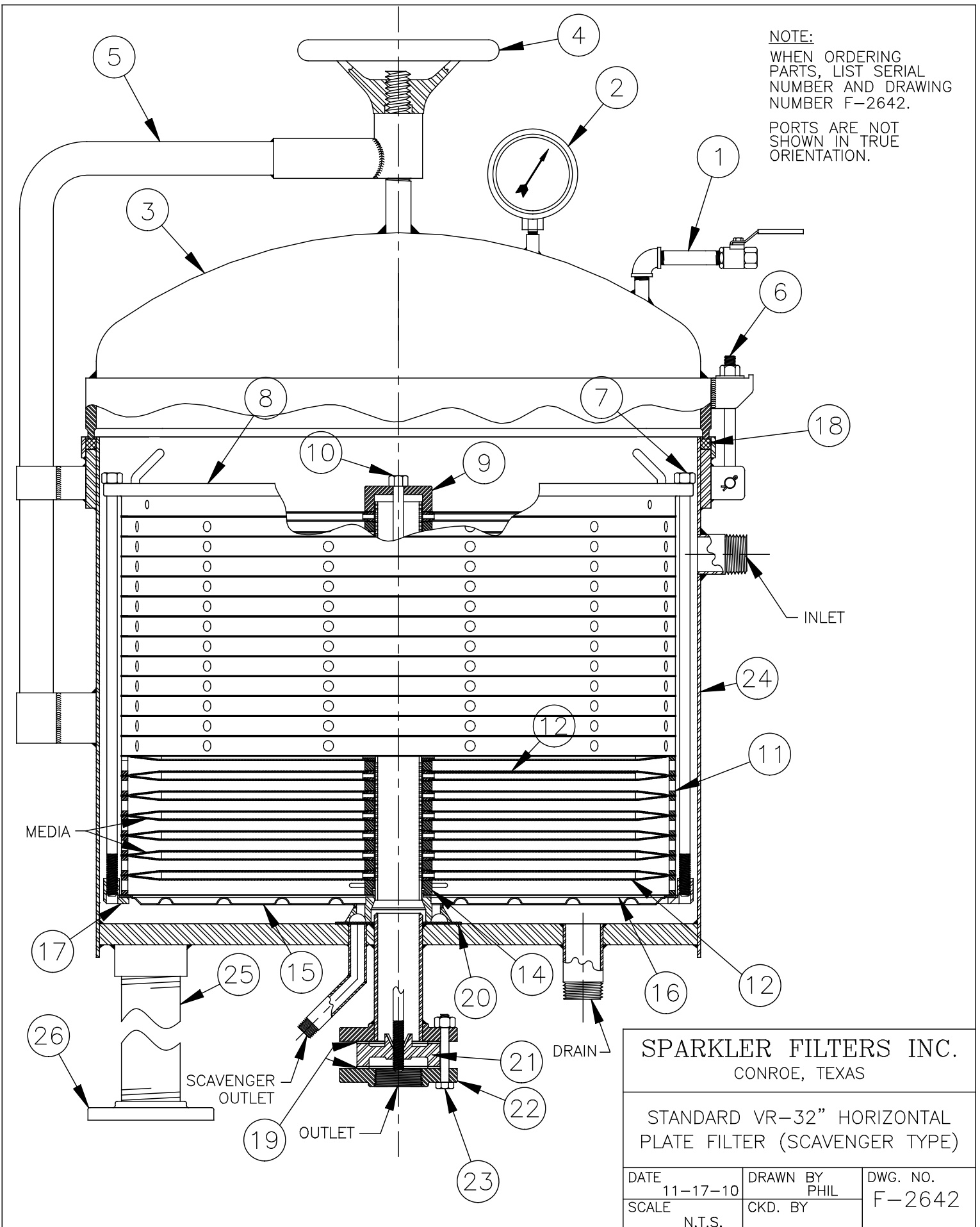


NOTE:
 WHEN ORDERING
 PARTS, LIST SERIAL
 NUMBER AND DRAWING
 NUMBER F-2642.
 PORTS ARE NOT
 SHOWN IN TRUE
 ORIENTATION.



SPARKLER FILTERS INC. CONROE, TEXAS		
STANDARD VR-32" HORIZONTAL PLATE FILTER (SCAVENGER TYPE)		
DATE 11-17-10	DRAWN BY PHIL	DWG. NO. F-2642
SCALE N.T.S.	CKD. BY	

F-2642

STANDARD 33" VR HORIZONTAL PLATE FILTER PARTS
SCAVENGER TYPE

PART NUMBER	PART DESCRIPTION	PART NUMBER	PART DESCRIPTION
1	Air Vent Assembly (elbow, nipple, valve)	12	Filter Plate
2	Pressure Gauge	14	Bottom Outer Ring with Spokes & Spacer
3	Cover (less Gauge and Vent)	15	Scavenger Plate with Welded-In Center Column
4	HandWheel	16	Scavenger Filter Plate Screen
5	Davit Arm	17	Bottom Ring
6	Swing Bolt Assembly	18	Cover Gasket
7	Side Tie Rod	19	Tie Rod Socket Gasket
8	Top Ring	20	Scavenger Outlet Gasket
9	Compression Cap	21	Tie Rod Socket
10	Center Tie Rod	22	Companion Flange
11	Outer Plate Ring with Spokes & Spacer	23	Outlet Bolt Assembly
		24	Tank
		25	Leg
		26	Floor Flange