



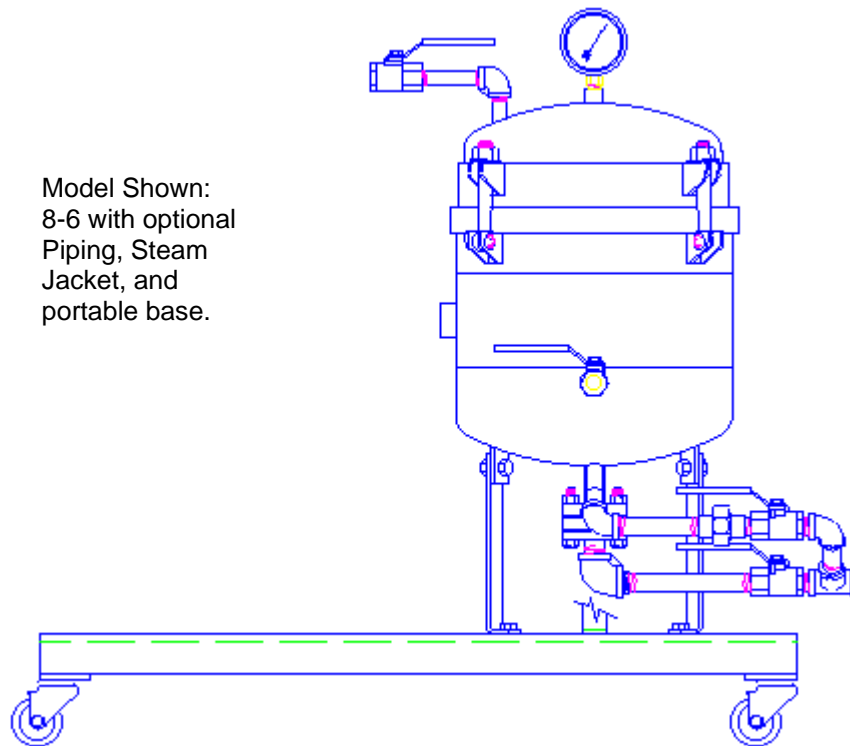
PILOT FILTER (8" HPF)

Sparkler has a pilot size Horizontal Plate Filter with scavenger plate in two sizes, the 8-3 and 8-6. These filters are built to the same specifications as the various other sizes of Standard Horizontal Plate Filters.

Pilot filter specifications are as follows:

<u>MODEL</u>	<u>NO. PLATE</u>	<u>FILTER AREA</u>	<u>CAKE CAPACITY</u>	<u>FLOW CAPACITY</u>	<u>TANK VOLUME</u>
8-3	3	1 sq.ft.	0.073 cu.ft.	30-60 GPH	3.375 gal. with cartridge
8-6	6	2 sq.ft.	0.153 cu.ft.	100 GPH	3.750 gal. with out cartridge

Model Shown:
 8-6 with optional
 Piping, Steam
 Jacket, and
 portable base.



SPARKLER also manufactures a complete line of Horizontal Plate Filters, Vertical Plate Filters (self-cleaning), Horizontal (dual position) Plate Filters, and Manual/Automatic Nutsche Filters.